

EST.

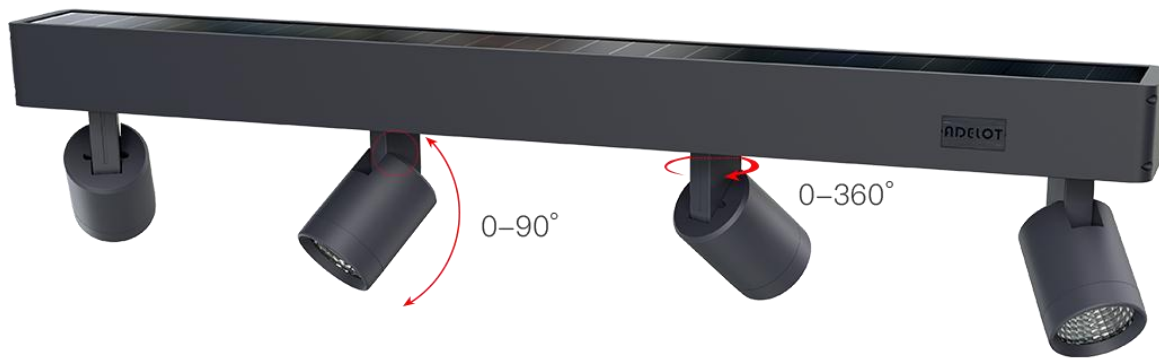


2022

Personalize your outdoor life

SUN BY NIGHT

we bring the light





INTRODUCTION

Product specifications

01 FRONT COVER

02 CATALOG

03
~
07 MAIN
FEATURES

08 SPECIFICATIONS

09
~
10 OPTICAL FIGURE

11
~
12 DIMENTION
FIGURE

13 MORE DETAILS

14 CORE
TECHNOLOGY

15
~
16 INSTALLATION
INSTRUCTIONS

17
~
18 PACKAGE DETAIL

19 APPLICATION

MAIN FEATURES

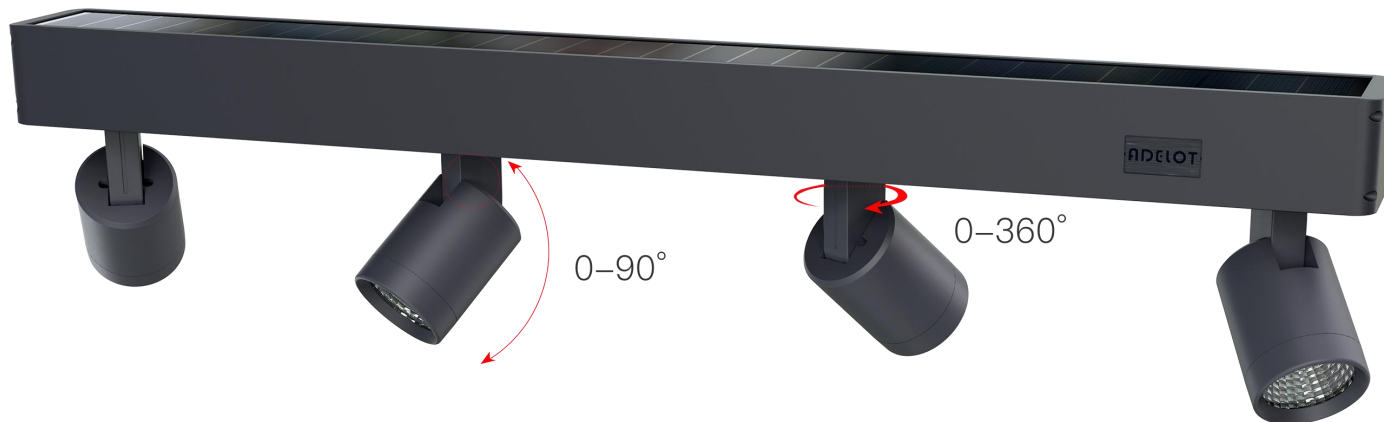
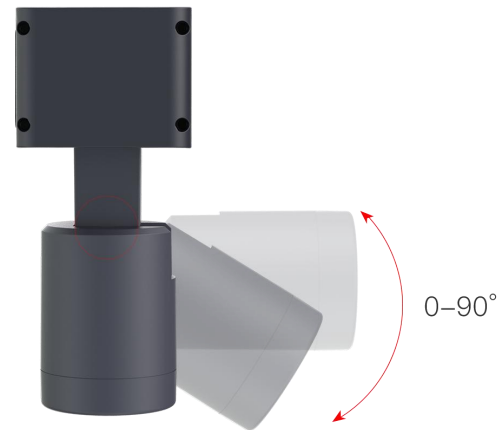
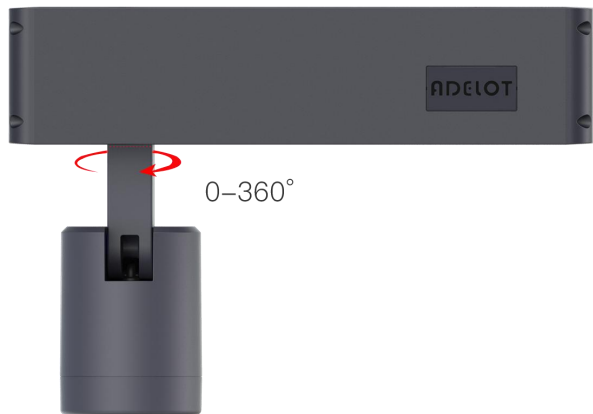


SMART SOLAR SPOT LIGHT

More enjoy your outdoor life

Multi-angle and multi-directional lighting

More scene installation



MAIN FEATURES

Personalize your outdoor lighting space

One-touch Networking, APP controls dimming, color temperature, timing, and 16 million colors options with flame, ocean, deep forest and other scene dynamic effects Lighting



MAIN FEATURES

RGB toning

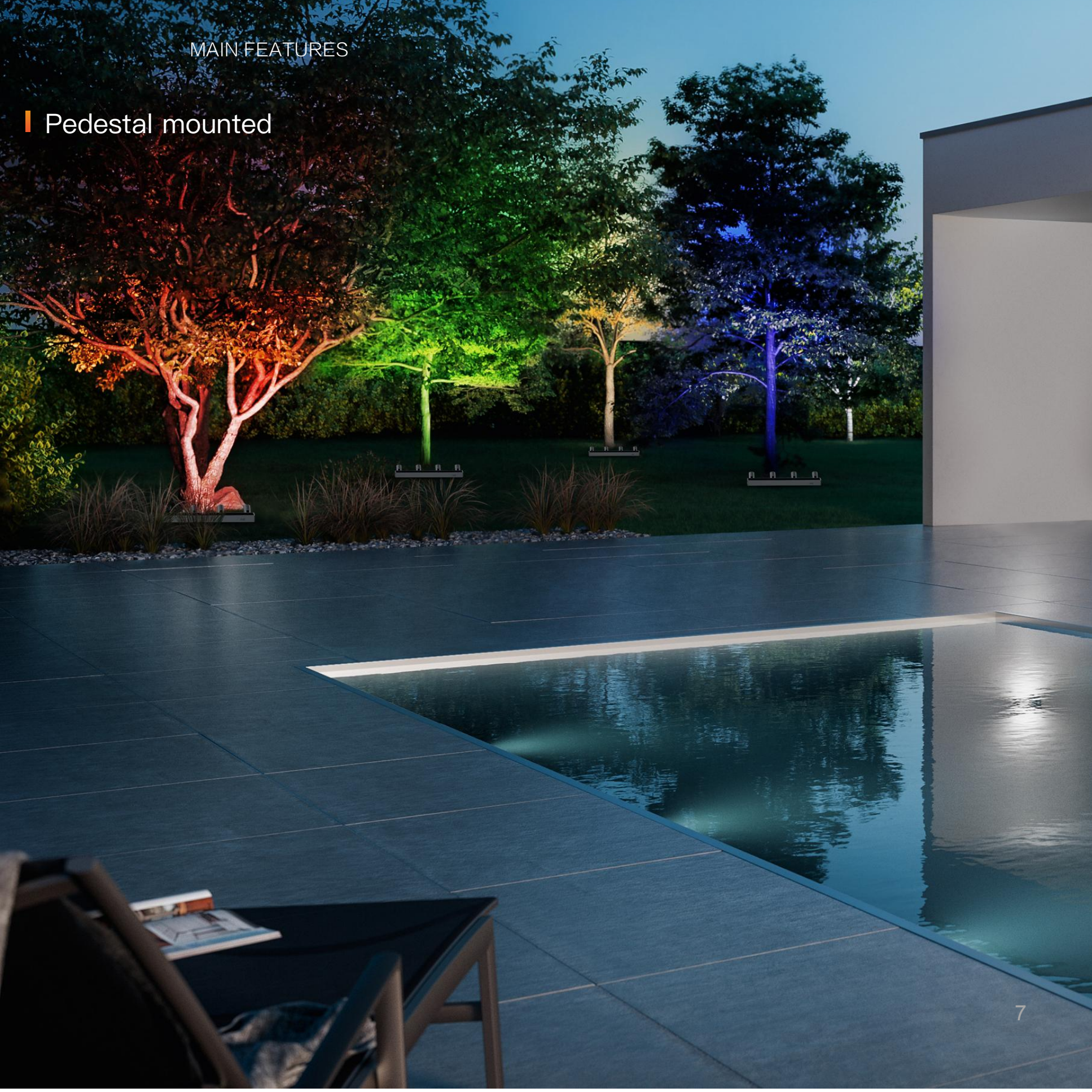
Mobile APP intelligently controls the change of 16 million colors

High Mounted



MAIN FEATURES

▮ Pedestal mounted

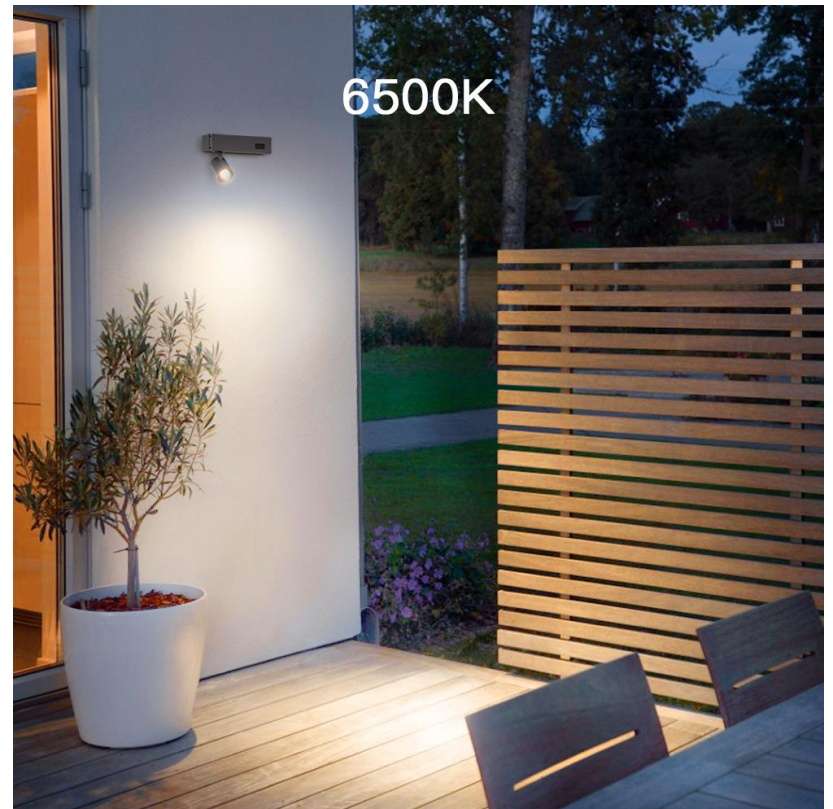
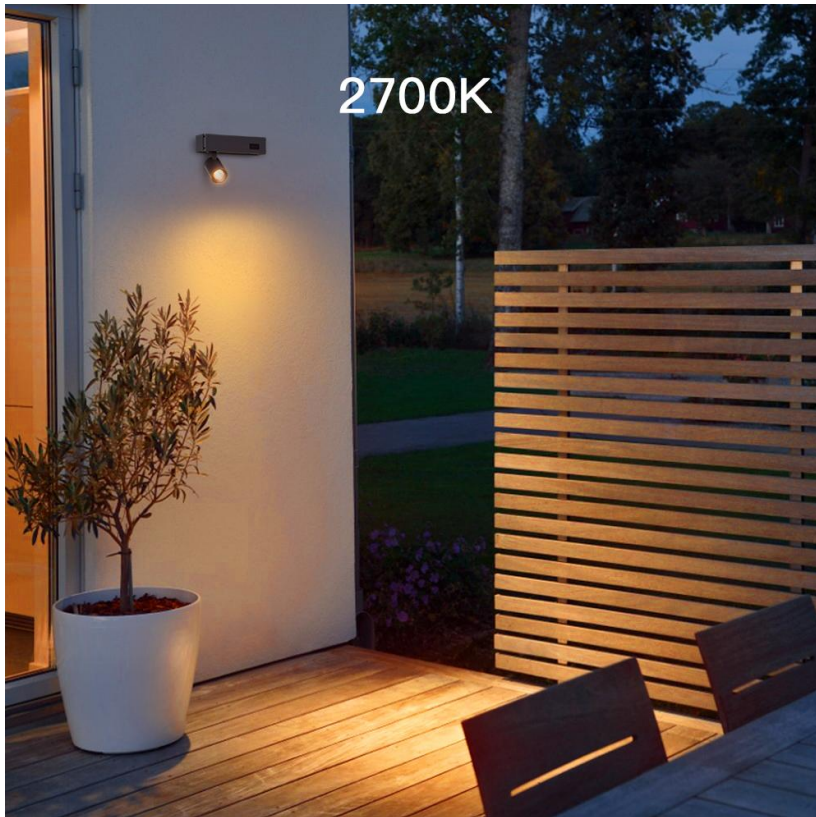


MAIN FEATURES

CW model with adjustable color temperature

APP change the color temperature white and warm light at will

—
2700K~6500K



MAIN FEATURES

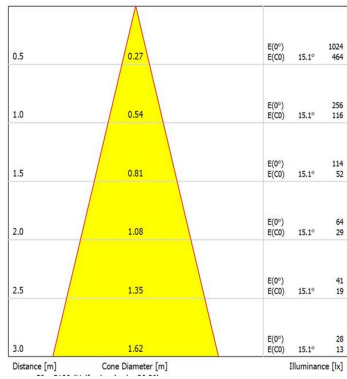
IP65 waterproof



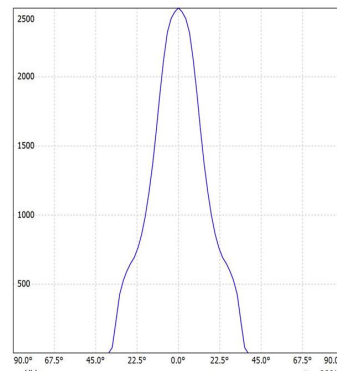
SPECIFICATIONS

Item : Infinex 1	SBNDST11 (high-mounted CW)	SBNDST21 (Pedestal mounted CW)	SBNDST12 (high-mounted RGB)	SBNDST22 (Pedestal mounted RGB)	SBNDST13 (high-mounted 4CW)	SBNDST23 (Pedestal mounted 4CW)	SBNDST14 (high-mounted 4 RGB)	SBNDST24 (Pedestal mounted 4 RGB)
Light Brightness	220LM	220LM	/	/	880LM	880LM	/	/
Solar panel								
Power	4.32V/2.38 W	4.32V/2.38 W	4.32V/2.38 W	4.32V/2.38 W	4.32V/9w	4.32V/9W	4.32V/9W	4.32V/9W
Li-ion battery								
Capacity	14.8WH	14.8WH	14.8WH	14.8WH	59.2WH	59.2WH	59.2WH	59.2WH
Charging/Discharging Temp	0~45°C / -20~60°C	0~45°C / -20~60°C	0~45°C / -20~60°C	0~45°C / -20~60°C	0~45°C/-20~60°C	0~45°C/-20~60°C	0~45°C/-20~60°C	0~45°C/-20~60°C
Charging Time	7.3H	7.3H	7.3 H	7.3H	8.5H	8.5H	8.5H	8.5H
LED (OSRAM)	1pc	1pc	1pc	1pc	4pcs	4pcs	4pcs	4pcs
Color Temp	2700K~6500K	2700k~6500k	RGB	RGB	2700K~6500K	2700k~6500k	RGB	RGB
Efficiency	-	-	-	-	-	-	-	-
Performance								
Lighting Time in Rainyday	>10 Days							
Control Mode	Button Switch , ON/OFF Long Press 1.5s							
Lighting Mode	100% 3000K 5 hours + 20% 3000K till dawn		100% till dawn (red)		100% 3000K 5 hours + 20% 3000K till dawn		100% till dawn (red)	
Mode Indication	APP refresh shows remaining battery							
Control Mode	App							
Networking Type	Bluetooth mesh							
PIR	-							
Core technology	ALS2.5							
FAS	APP reports							
IP/IK Class	IP65 / IK08							
Install Height / Distance	Height	Distance	Height	Distance	Height	Distance	Height	Distance
Types of Lighting	24°							
Materials	Aluminium alloy +PC							

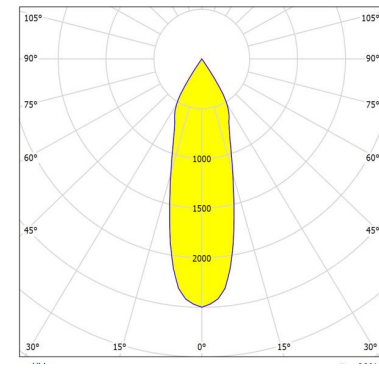
Road Simulated Diagram



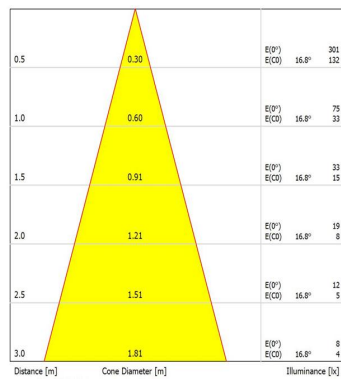
Illumination Curve



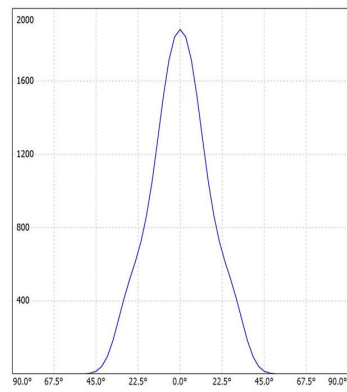
Luminance Distribution



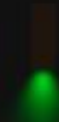
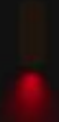
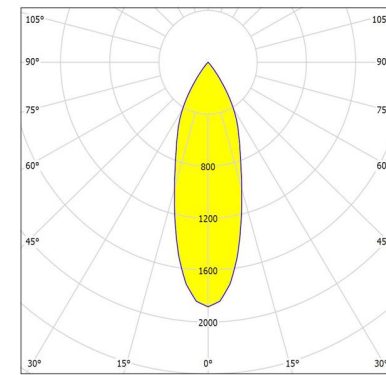
Road Simulated Diagram

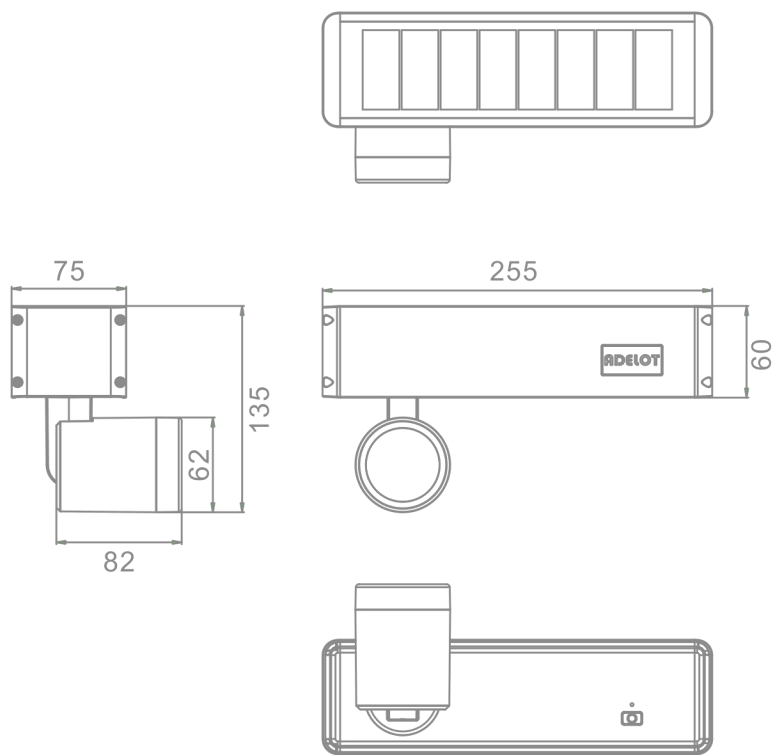


Illumination Curve

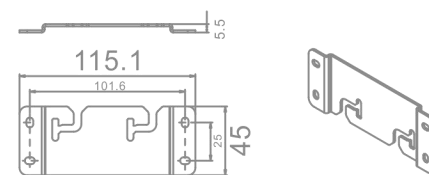


Luminance Distribution



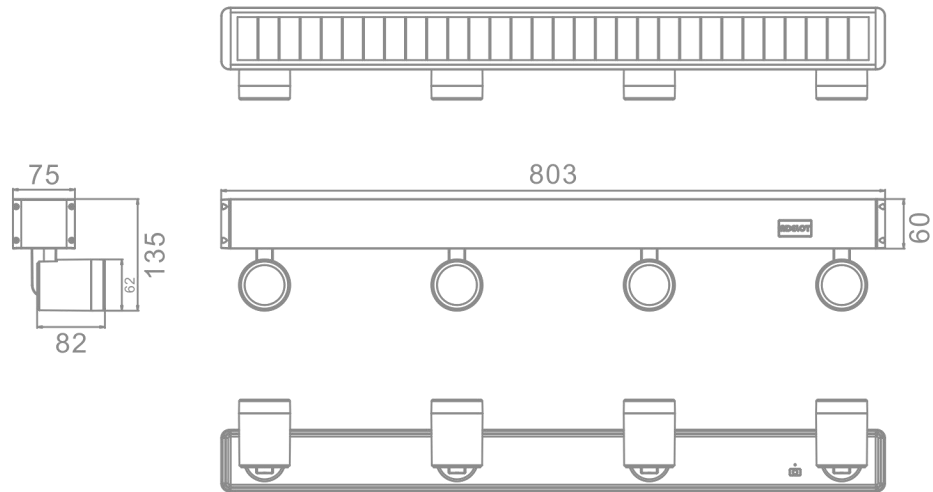


Product Size

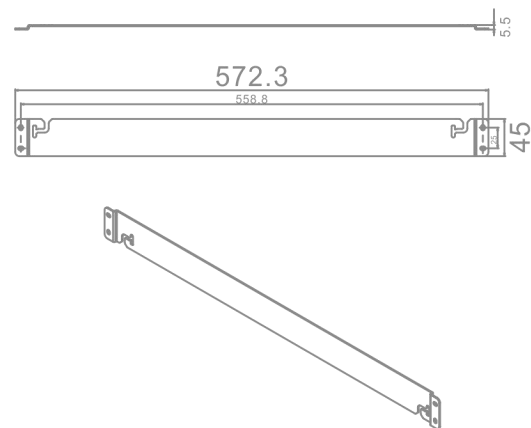


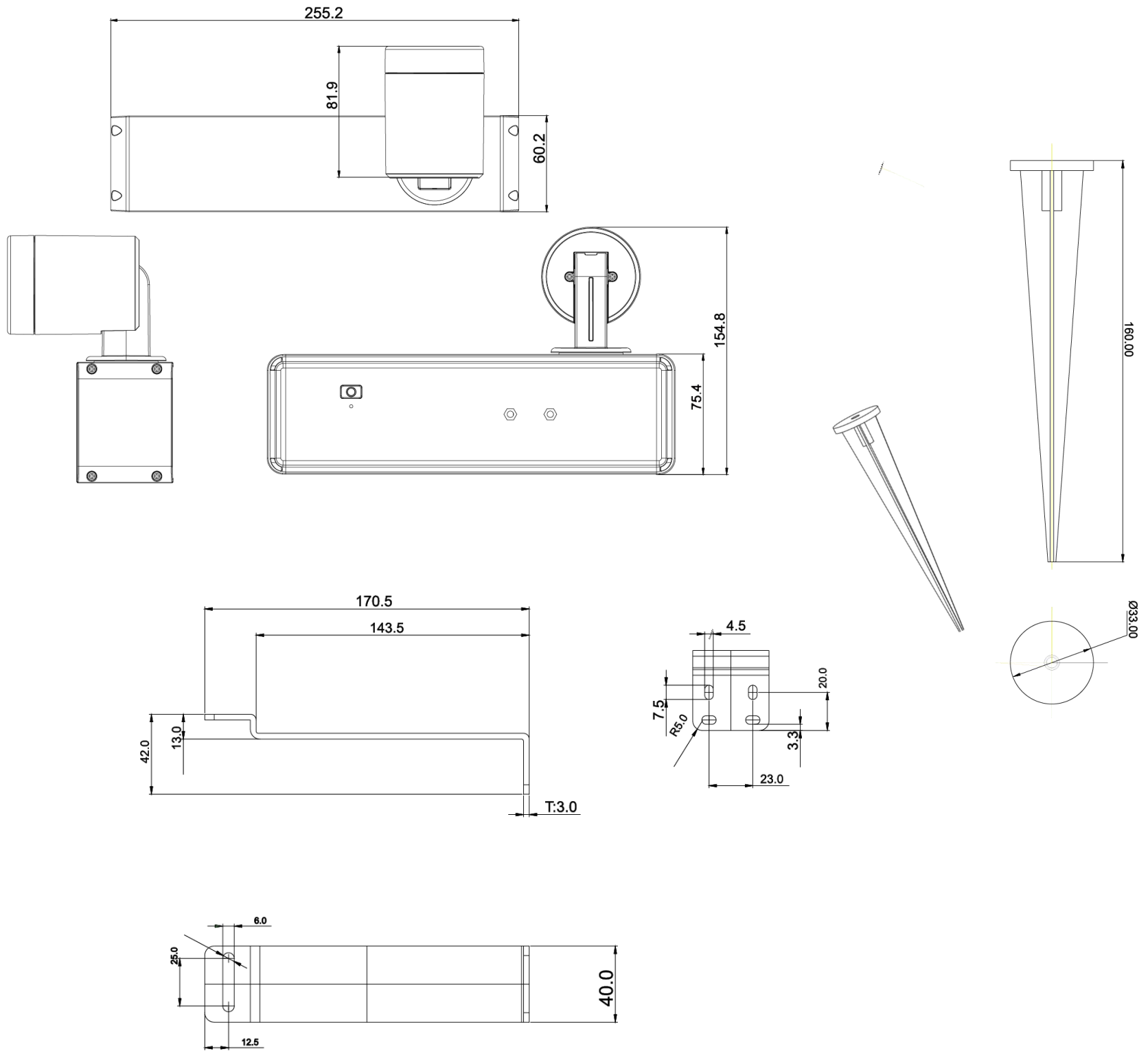
Wall bracket

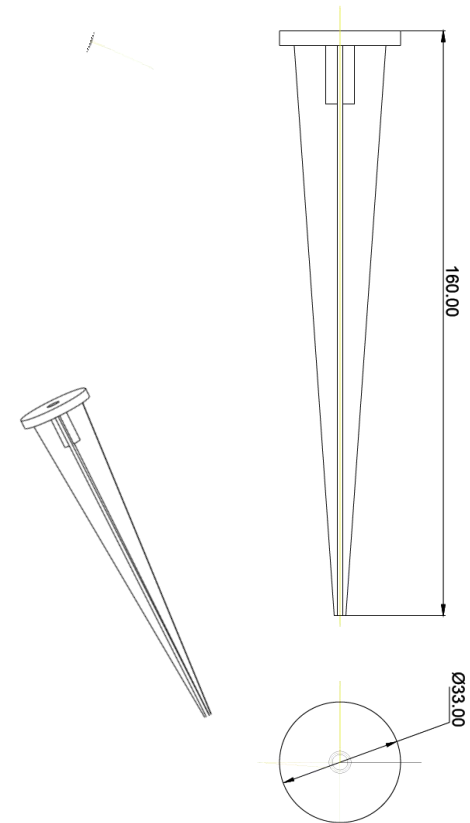
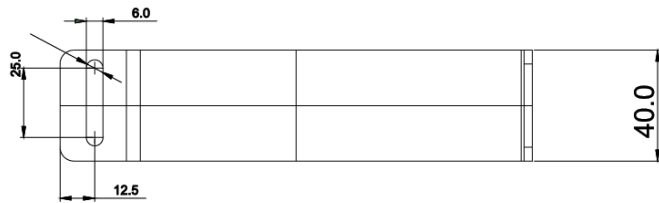
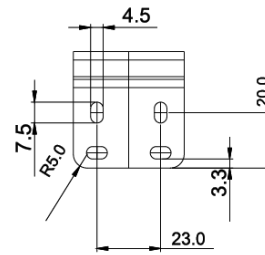
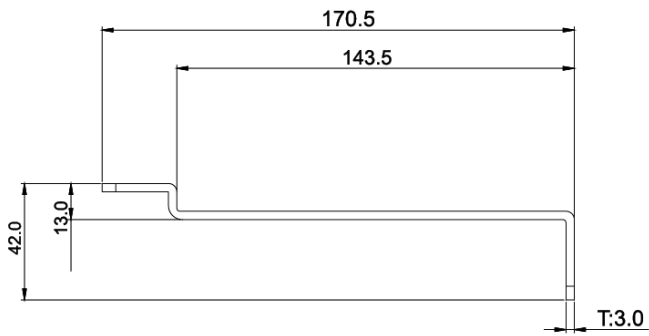
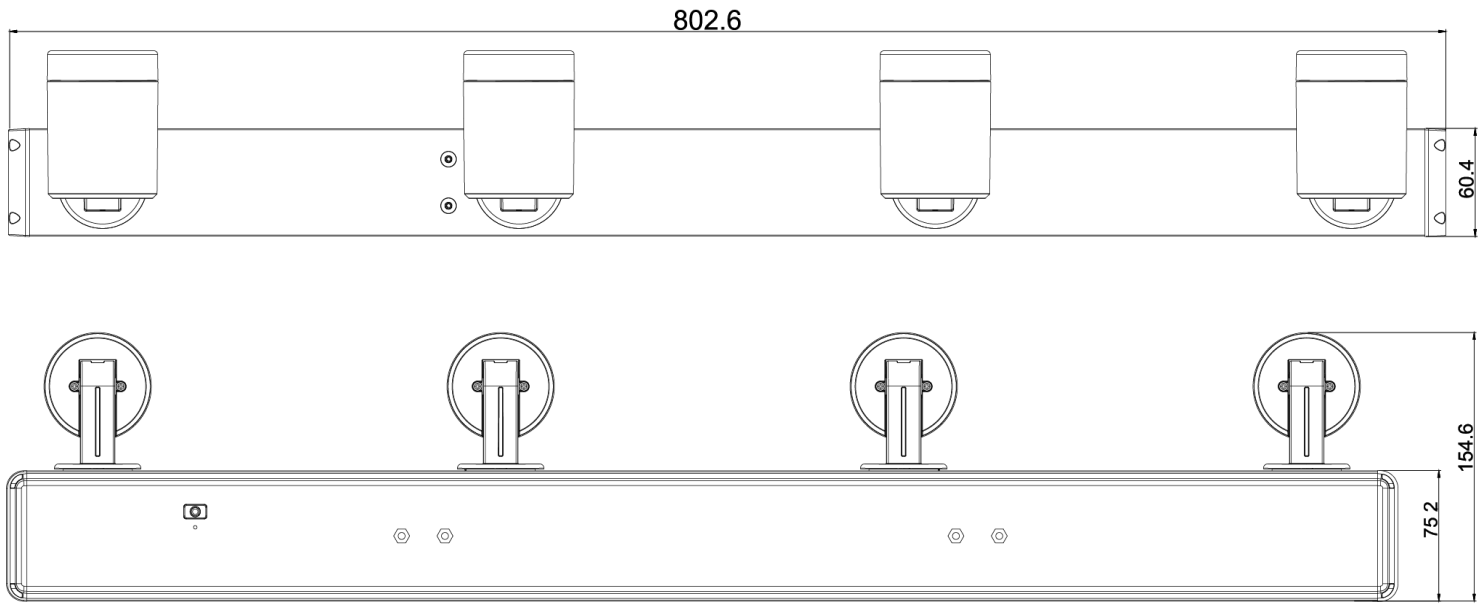
Product Size



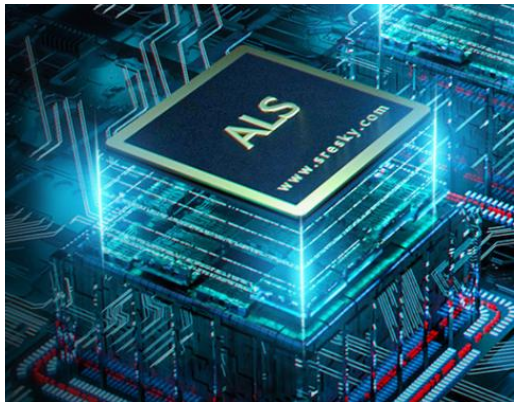
Wall bracket



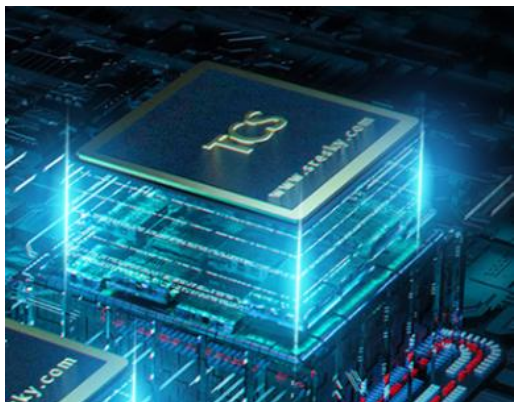
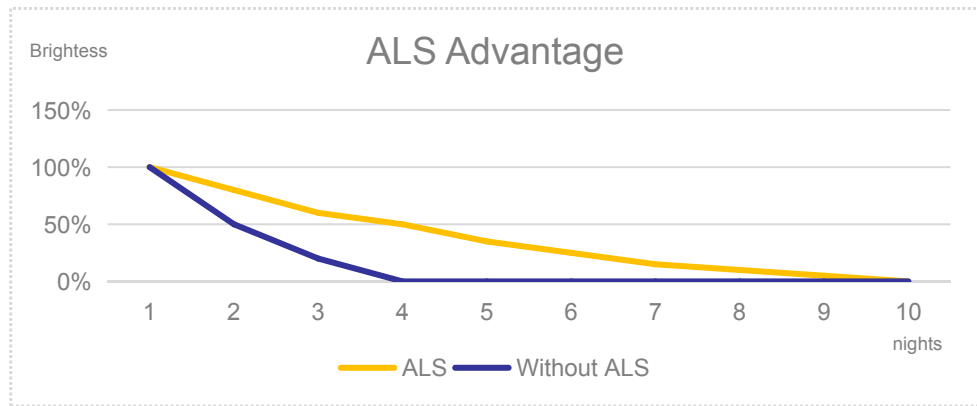




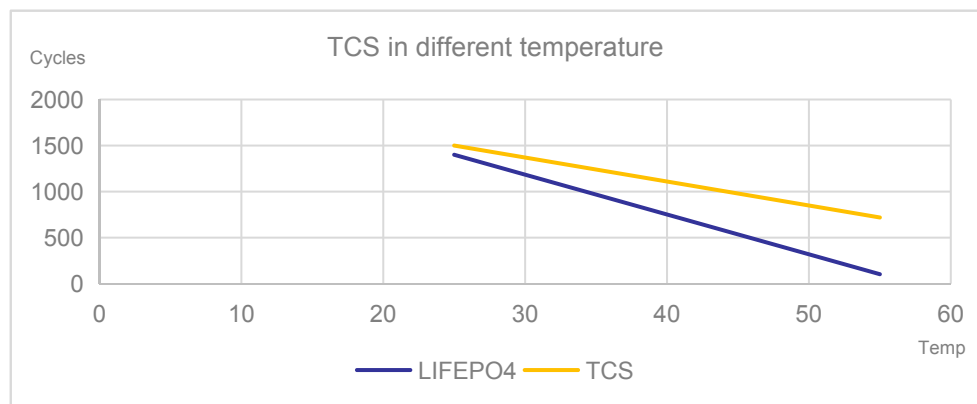
CORE TECHNOLOGY



ADVANTAGE OF ALS



ADVANTAGE OF TCS



Application



Application



SBNDST21



SBNDST13



SBNDST14

S / O / L / A / R / L / I / G / H / T

